

L.A.W. ROCKET SYSTEM

66MM LIGHT ANTITANK WEAPON OPERATION MANUAL



**M72A1, M72A2 WITH COUPLER,
M72A3 AND PRACTICE ROCKET
LAUNCHER M190 WITH M73
PRACTICE ROCKET.**

TM9 1340-214-10

CHAPTER 1 INTRODUCTION

		Page
SECTION I	GENERAL	3
II	A BRIEF DESCRIPTION	4-5
III	DATA	6
IV	LABELS AND MARKING	7-8

CHAPTER 2 OPERATION

		Page
SECTION I	SERVICE UPON RECEIPT OF MATERIEL	9-12
II	CARRYING POSITION	13
III	BACK BLAST DANGER ZONES	14
IV	PREPARATION FOR FIRING	15-16
V	FIRING POSITIONS	17
VI	READY	18
VII	AIM	19
VIII	FIRE	20
IX	FAILURE OF WEAPON TO FIRE IMMEDIATELY	21-24
X	PREPARED FOR - BUT NOT FIRED	25-28

CHAPTER 3 MAINTENANCE

SECTION I	OPERATOR MAINTENANCE	29
II	REPACK	30

CHAPTER 1 INTRODUCTION



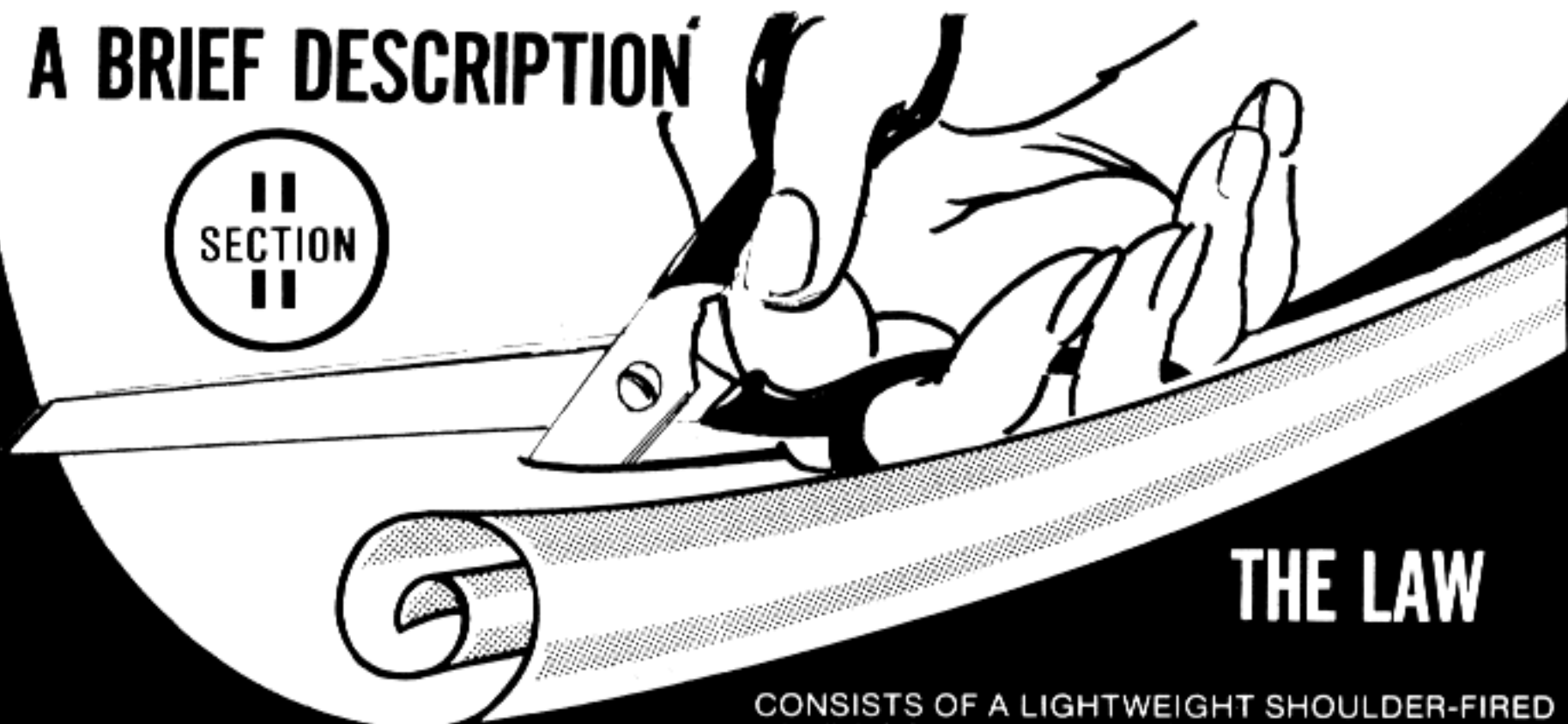
GENERAL

1-1. SCOPE

THIS MANUAL CONTAINS A DESCRIPTION OF AND INSTRUCTIONS FOR OPERATIONS OF THE 66-MM LIGHT ANTITANK WEAPON (LAW) SYSTEM M72A1, M72A2 WITH COUPLER, M72A3 AND PRACTICE ROCKET LAUNCHER M190 WITH M73 PRACTICE ROCKET.

THE OPERATING INSTRUCTIONS FOR THE TACTICAL AND PRACTICE WEAPONS ARE IDENTICAL.

A BRIEF DESCRIPTION

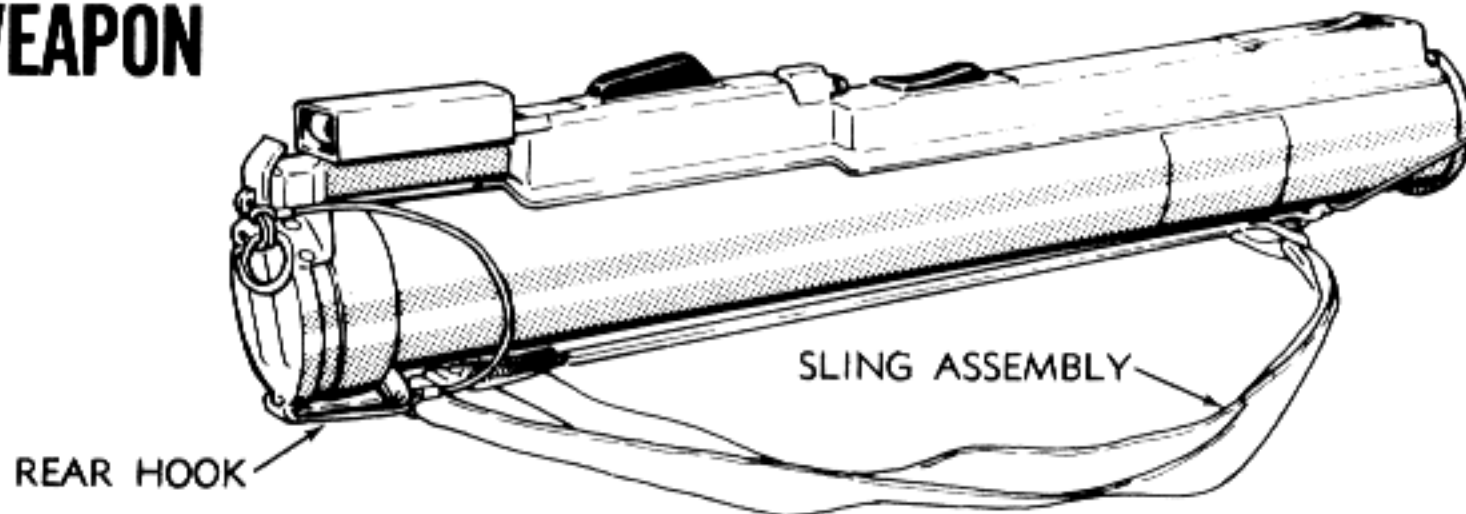


THE LAW

CONSISTS OF A LIGHTWEIGHT SHOULDER-FIRED HEAT ROCKET PREPACKAGED IN A LAUNCHER. END COVERS PROTECT ROCKET AGAINST DIRT AND MOISTURE. THE WEAPON IS CARRIED SLUNG OVER THE SHOULDER BY AN ATTACHED SLING ASSEMBLY.

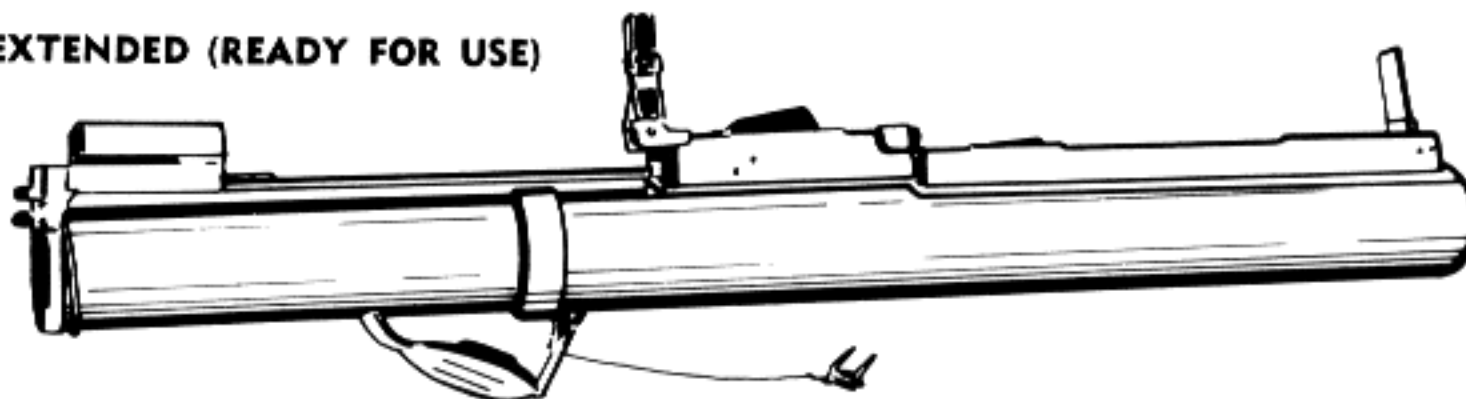
THE PRACTICE LAUNCHER, M190, IS A MODIFIED M72A1 LAUNCHER CONVERTED TO FIRE A 35-MM M73 ROCKET. THE ROCKET WHICH CONTAINS A SPOTTING CHARGE, SIMULATES THE FIRING OF THE TACTICAL WEAPON.

WEAPON



EXTERNAL VIEW AS ISSUED (NOT EXTENDED)

EXTENDED (READY FOR USE)



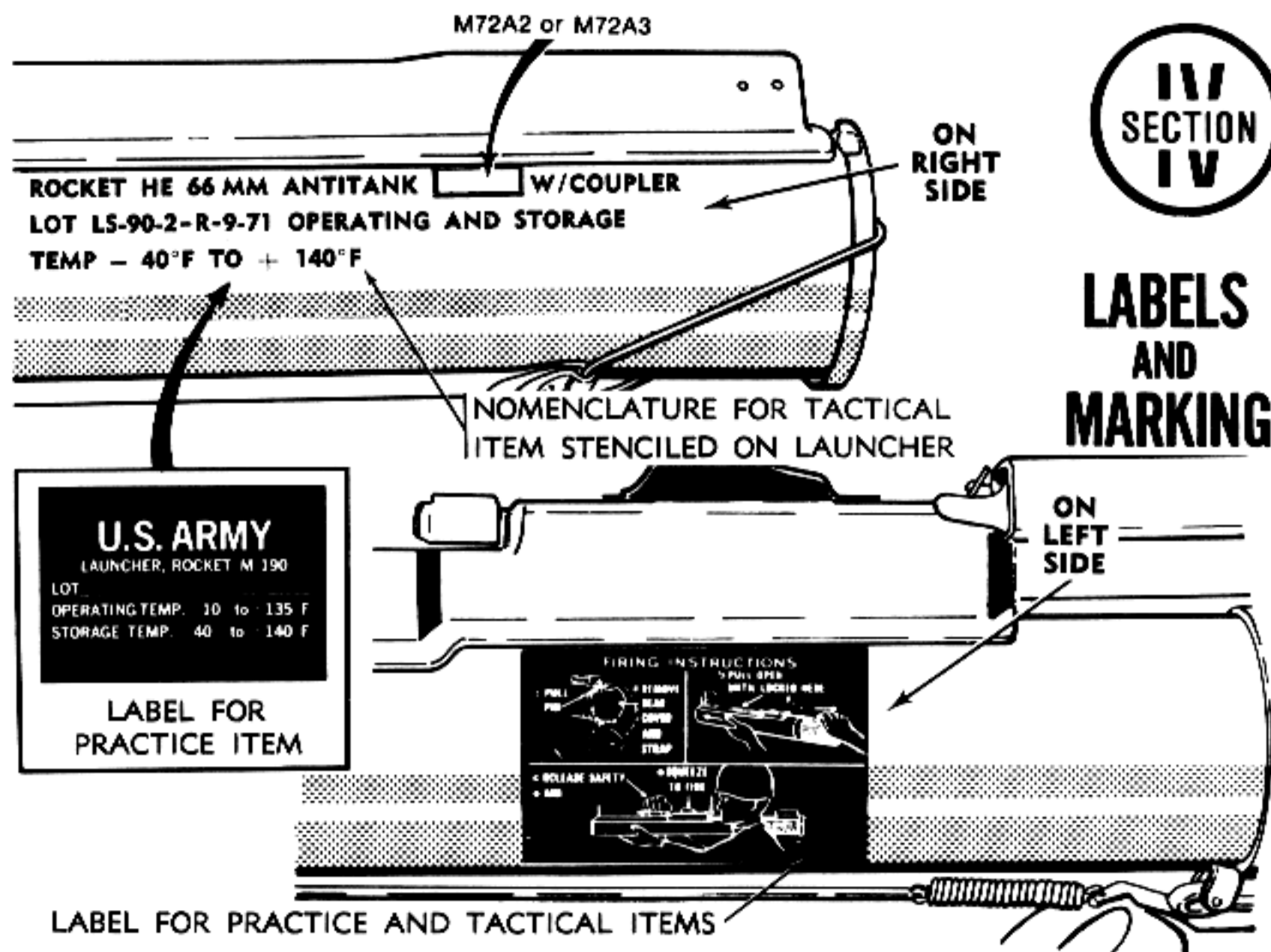
NOTE: EXTERNAL VIEW OF TACTICAL AND PRACTICE WEAPON ARE IDENTICAL



DATA

WEAPON DATA

	Tactical		Practice
	M72A1	M72A2, M72A3	Launcher M190 w/Rocket M73
Weight	5.1-Lbs.	5.1-Lbs.	5.-Lbs.
Color Identification Launcher Firing Instruction Label	OD OD Background White Printing	OD OD Background White Printing	OD OD Background White Printing
Model, Lot No, Date Mfg Label	OD W/Yellow Printing	OD W/Yellow Printing	OD W/ Yellow Printing
Warhead	M72 (Heat)	M72A1 (Heat)	Spotting Charge
Complete Length (Closed) Nominal (Open) Nominal	24.7-in. 34.7-in.	24.7-in. 34.7-in.	25.3-in. 35.4-in.
Diameter	4.9-in.	4.9-in.	4.9-in.



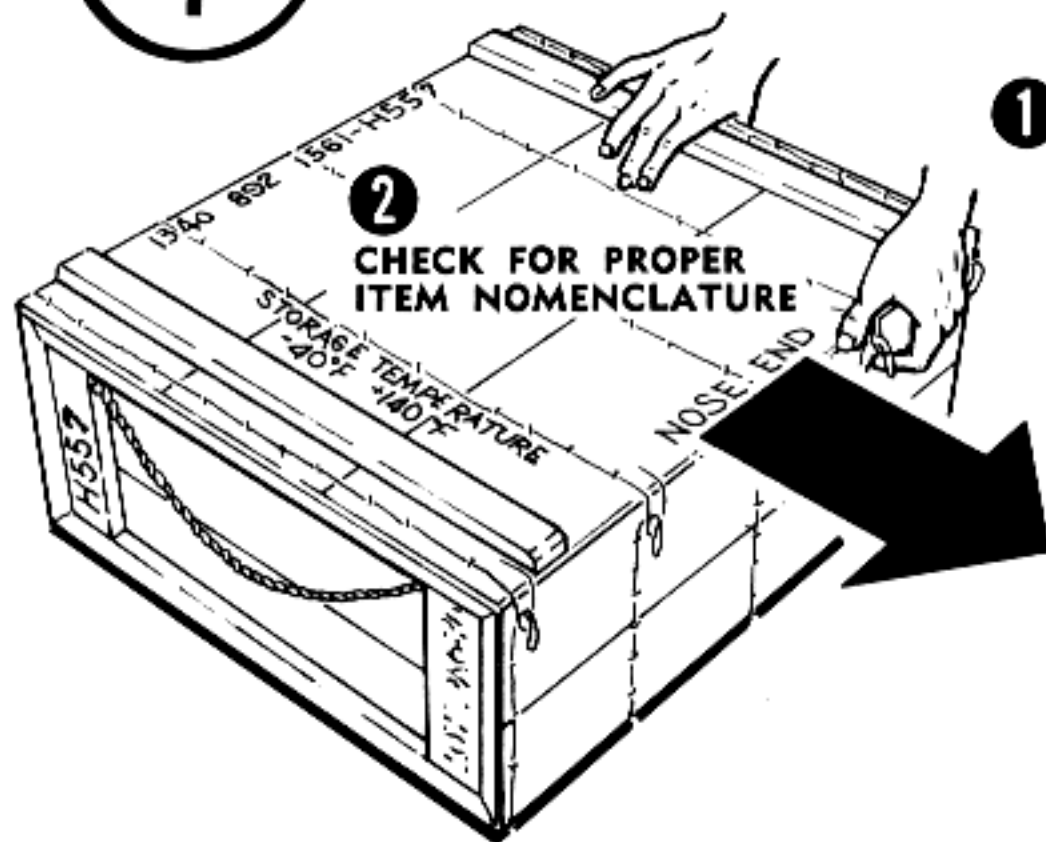
LABELS AND MARKING

Following applies to tactical weapon only.



SERVICE UPON RECEIPT OF MATERIEL

CHAPTER 2 OPERATION



2 CHECK FOR PROPER
ITEM NOMENCLATURE

1 KEEP MARKING "NOSE END"
OF BOX FACING LEAST
HAZARDOUS AREA

3 STAND TO SIDE
OF "NOSE END"
MARKING.

4 REACH OVER
TOP OF BOX
AND UNFASTEN
WIRE HOOPS

DO NOT USE SHARP
INSTRUMENTS OR HOOKS
TO PRY UP BOX COVER
OR OPEN INNER PAK

5 REMOVE FIBERBOARD CONTAINER BY HANDLE

FACE AREA OF LEAST HAZARD

6 PULL FLAP AT NOSE END OF BARRIER BAG AND OPEN TO EXPOSE CONTAINER END

7 PULL PREPARED TEAR STRIPS OFF CONTAINER END AND REMOVE COVER

8 REMOVE CUSHIONING AND WEAPON

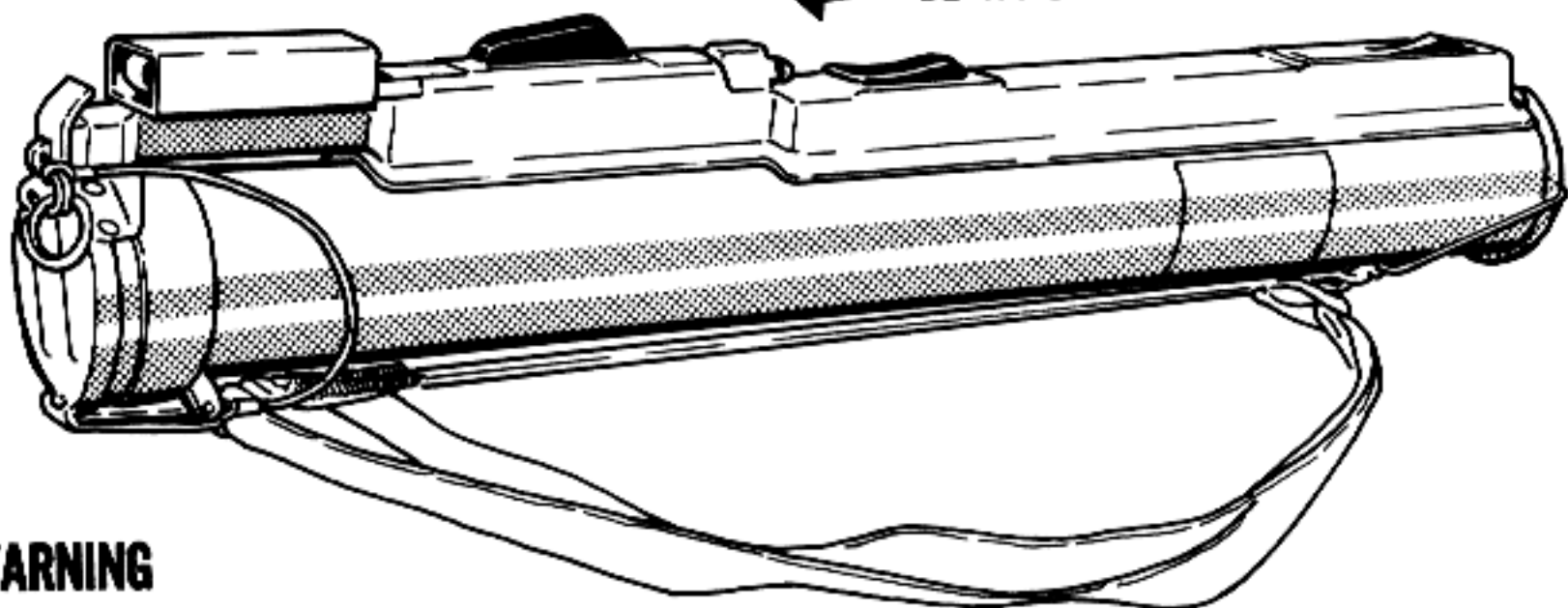
FOLLOWING APPLIES TO TACTICAL AND PRACTICE WEAPONS

CHECK EACH WEAPON SYSTEM FOR

CRACKED TUBE
DENTED PARTS
MISSING PARTS
LOOSE PARTS

FRAYED SLING
LOOSE OR BENT REAR HOOK
LOOSE OR DAMAGED SAFETY MECHANISMS
BLURRED OR INCORRECT NOMENCLATURE

TRIGGER SAFETY HANDLE MUST BE IN SAFE POSITION



WARNING

DO NOT EXTEND LAUNCHER UNTIL READY FOR USE.

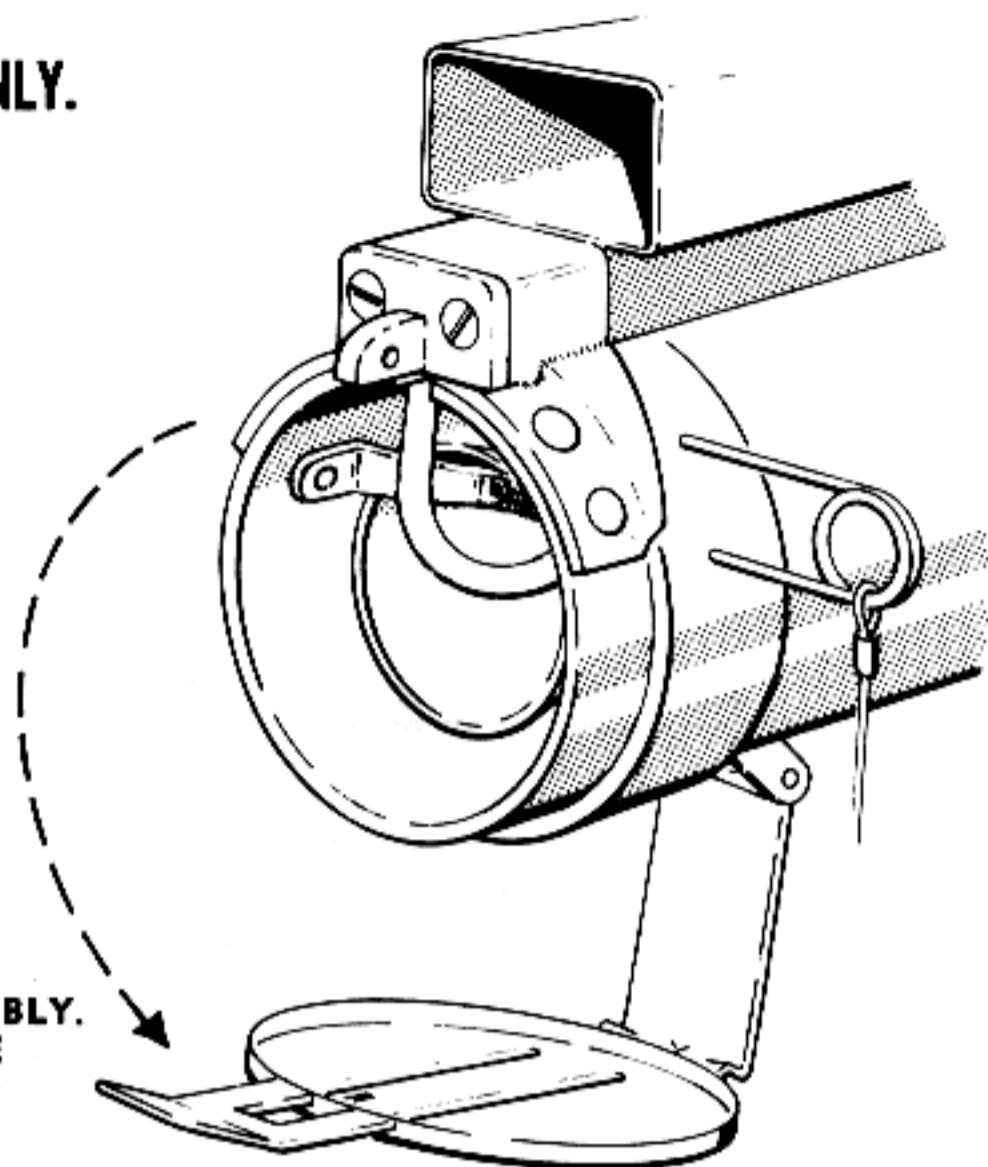
FOR TACTICAL WEAPONS ONLY.

IF TIME PERMITS

**CHECK IGNITER FOR DAMAGE
(BROKEN, CRACKED OR SPLIT)
(SEE INSTRUCTIONS FOR
REMOVING CARRYING SLING)**

IF SO DAMAGED

**TAPE DAMAGED IGNITERS TO
PREVENT LOSS OF IGNITION
MATERIAL. REPLACE SLING ASSEMBLY.
CLOSE REAR COVER AND REPLACE
PULL PIN.**



**CARRYING
POSITION**

**TO CARRY
SLING OVER SHOULDER**

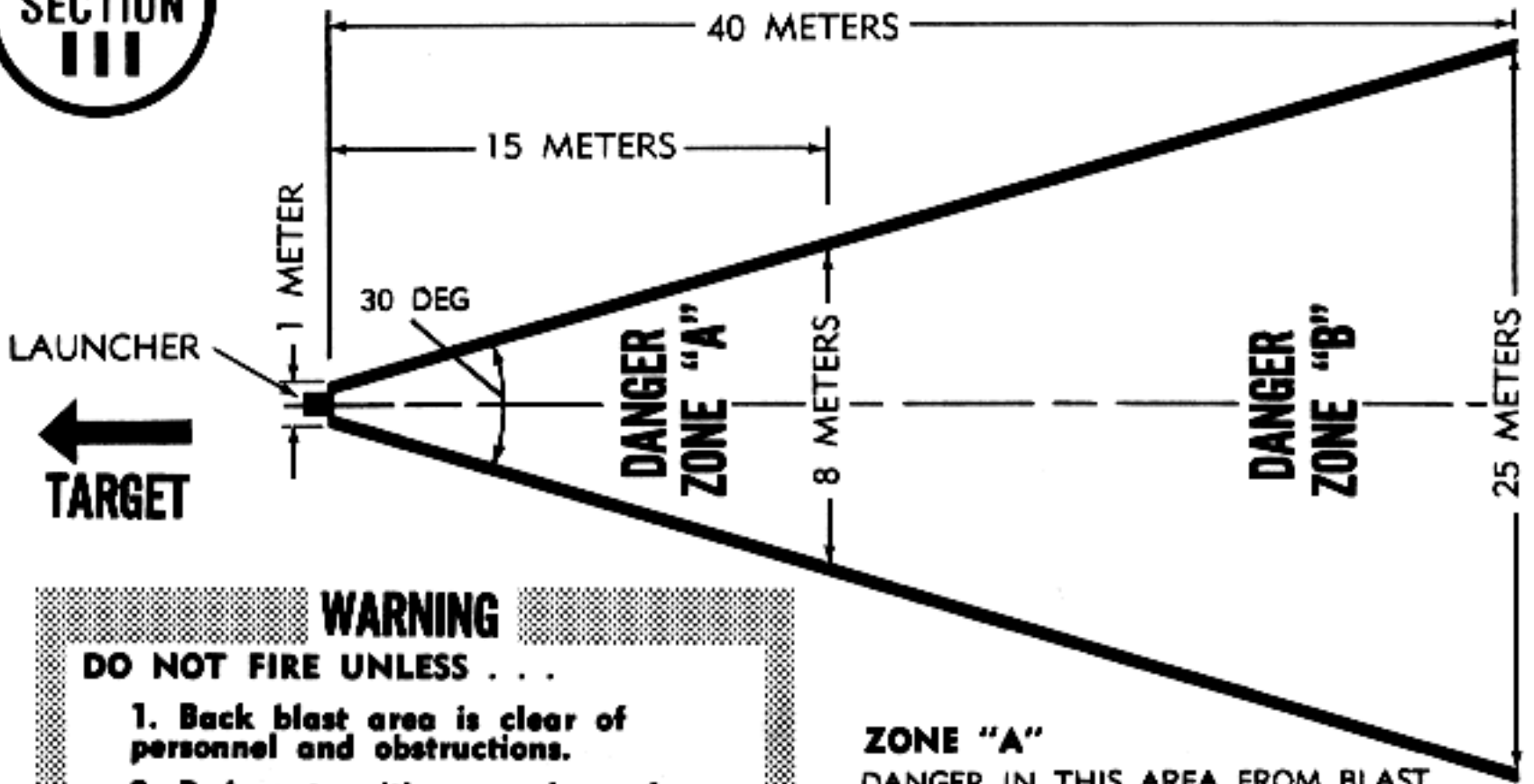


WARNING

**DO NOT CARRY WEAPON IN EXTENDED
POSITION.**



BACK BLAST DANGER ZONES



WARNING

DO NOT FIRE UNLESS . . .

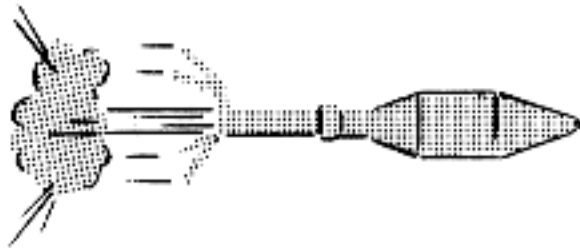
1. Back blast area is clear of personnel and obstructions.
2. Body extremities are clear of Rocket exhaust end.

ZONE "A"

DANGER IN THIS AREA FROM BLAST, HEAT, AND PROJECTED MATERIALS.

ZONE "B"

DANGER IN THIS AREA FROM PROJECTED MATERIALS



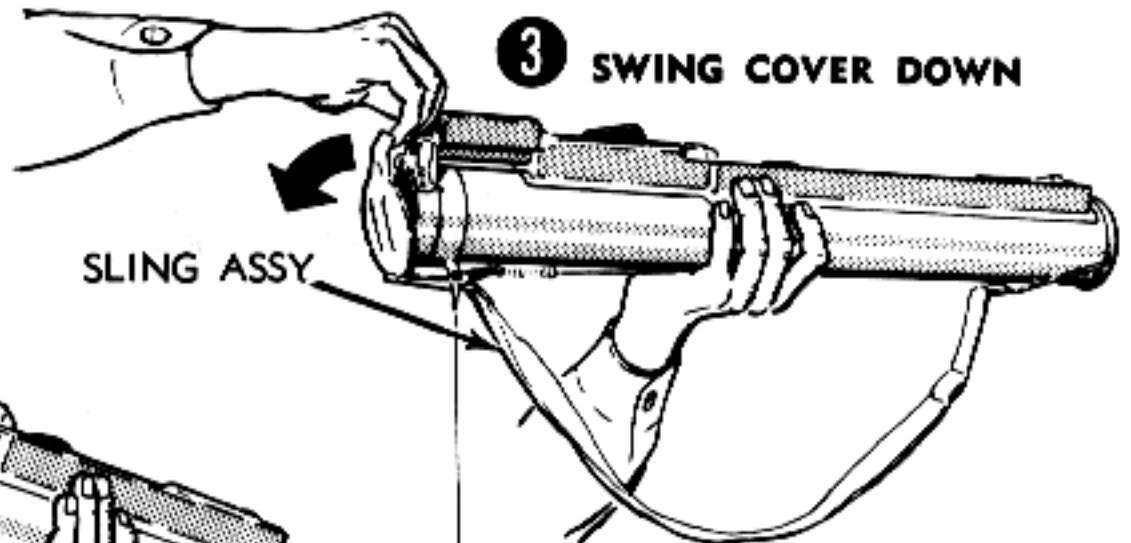
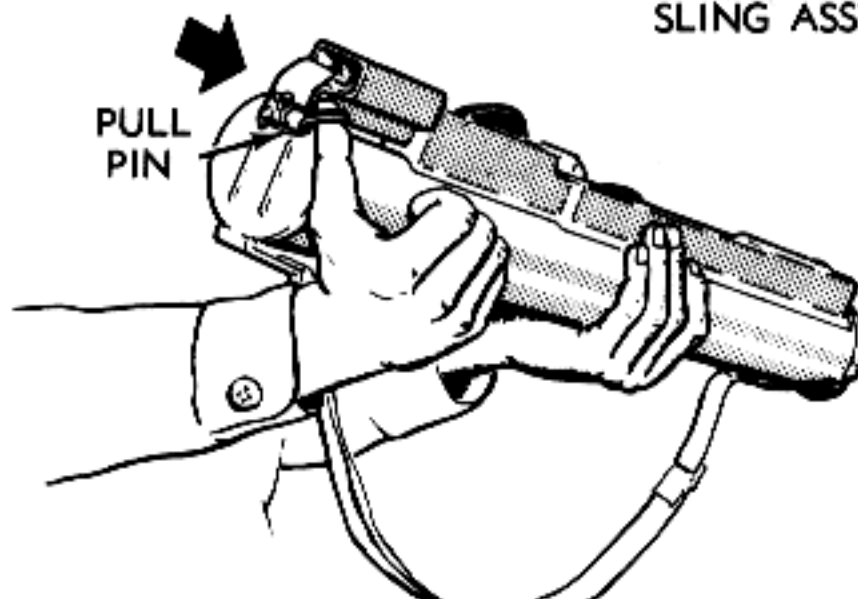
PREPARATION FOR FIRING

All weapons



- 1 The Following Steps Are Performed At The Firing Point.

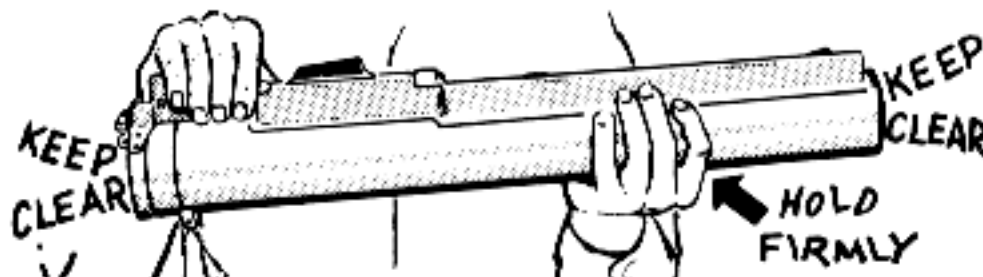
- 2 REMOVE PULL PIN



- 3 SWING COVER DOWN

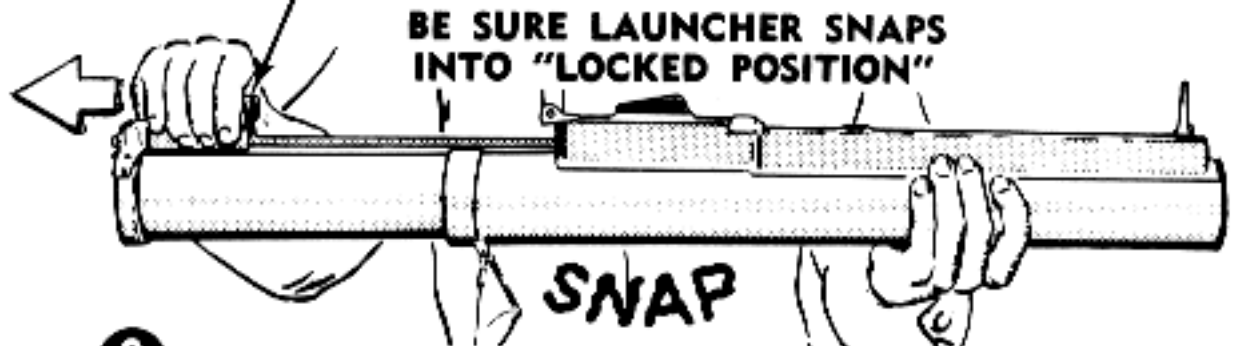
SLING FALLS FREE

IF TWO ATTEMPTS TO LOCK LAUNCHER OPEN FAIL - CLOSE AND SET SYSTEM ASIDE FOR DISPOSAL BY AUTHORIZED AMMUNITION PERSONNEL (SEE SECTION X FOR CLOSING WEAPON)



4 HOLD LAUNCHER SLIGHTLY AWAY FROM BODY

5 GRASP REAR SIGHT COVER - HOLD FIRMLY



SNAP

6 EXTEND BY PUSHING OUT WITH RIGHT HAND

WARNING EXTENDING THE WEAPON TOO SLOWLY CAN RESULT IN FAILURE TO COCK THE WEAPON.



FIRING POSITIONS



SITTING



KNEELING



STANDING

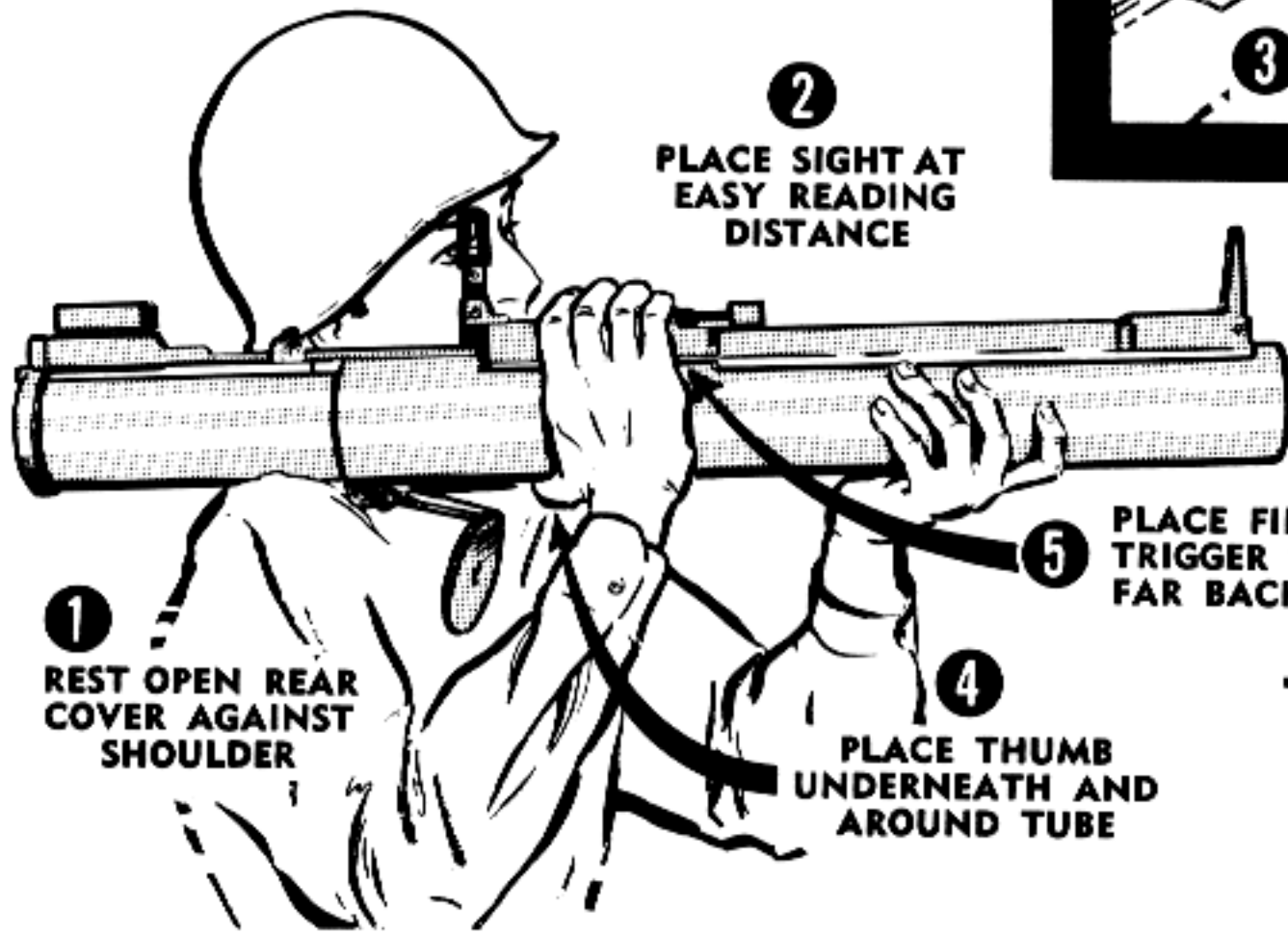
KEEP ON TARGET



OBSERVE BACKBLAST AREA AND PRONE POSITIONS

VII
SECTION
VI

READY



VII
SECTION
VII

AIM

LEAD MARKER (TARGET MOVING 15MPH)

FRONT SIGHT

RUBBER SIGHT BOOT

SIGHT BRACKET

TEMPERATURE COMPENSATING REAR SIGHT

VERTICLE CENTER LINE

RANGE MARKER

ON TARGET (STATIC OR MOVING TARGET HEAD-ON AT 235 METERS)

USING RANGE MARKER FOR SIDE VIEW RANGE ESTIMATION

USING RANGE MARKER FOR HEAD-ON RANGE ESTIMATION

SIGHTS ARE COATED TO AID IN NIGHT FIRING (EXCEPT M72A3)

ON TARGET (MOVING)

KEEP LAUNCHER
ON TARGET
IF SYSTEM DOES
NOT FIRE FOLLOW
INSTRUCTIONS IN

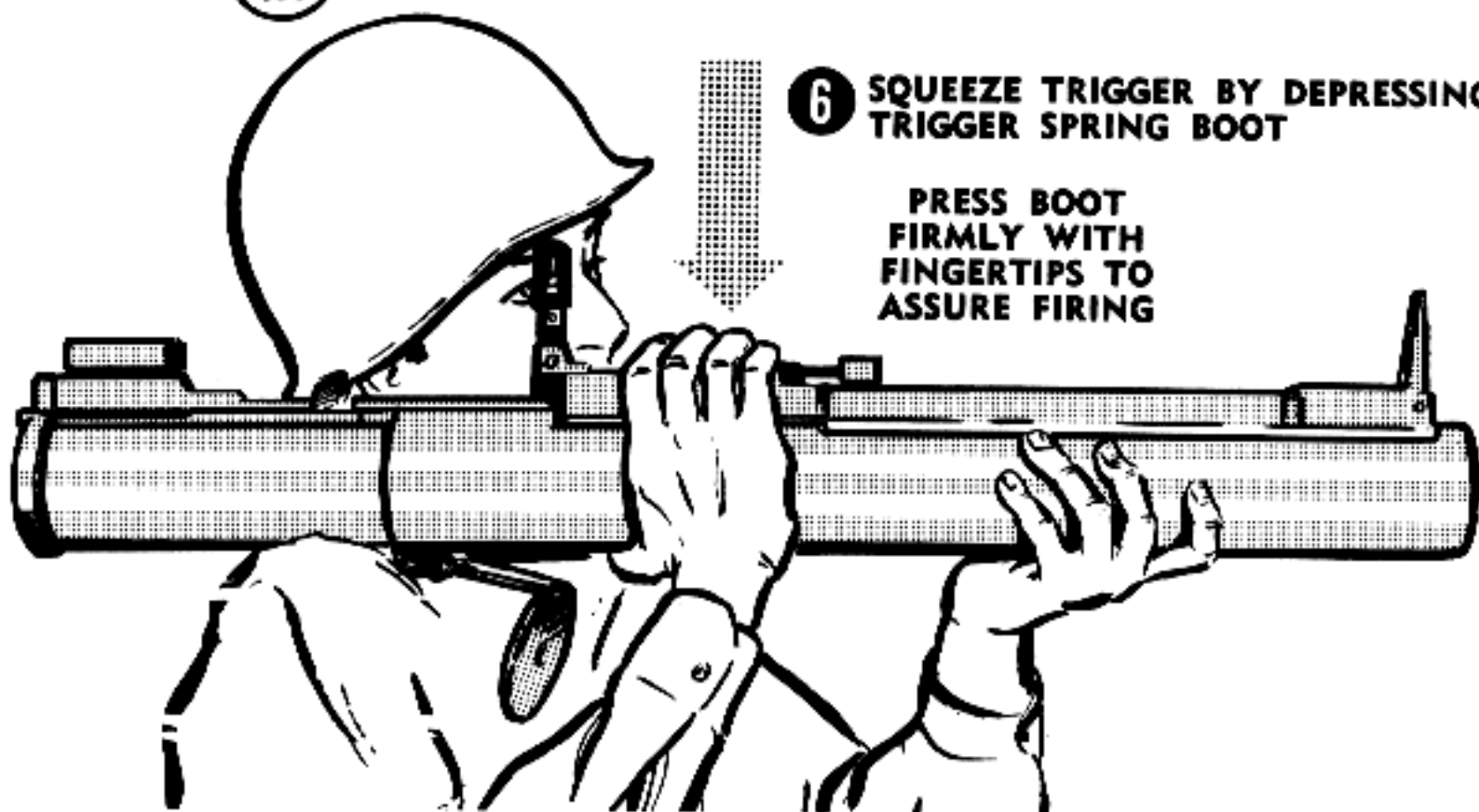
IV
SECTION
IA

FIRE

VIII
SECTION
VIII

6 SQUEEZE TRIGGER BY DEPRESSING
TRIGGER SPRING BOOT

PRESS BOOT
FIRMLY WITH
FINGERTIPS TO
ASSURE FIRING



IV
SECTION
IA

FAILURE OF WEAPON TO FIRE IMMEDIATELY

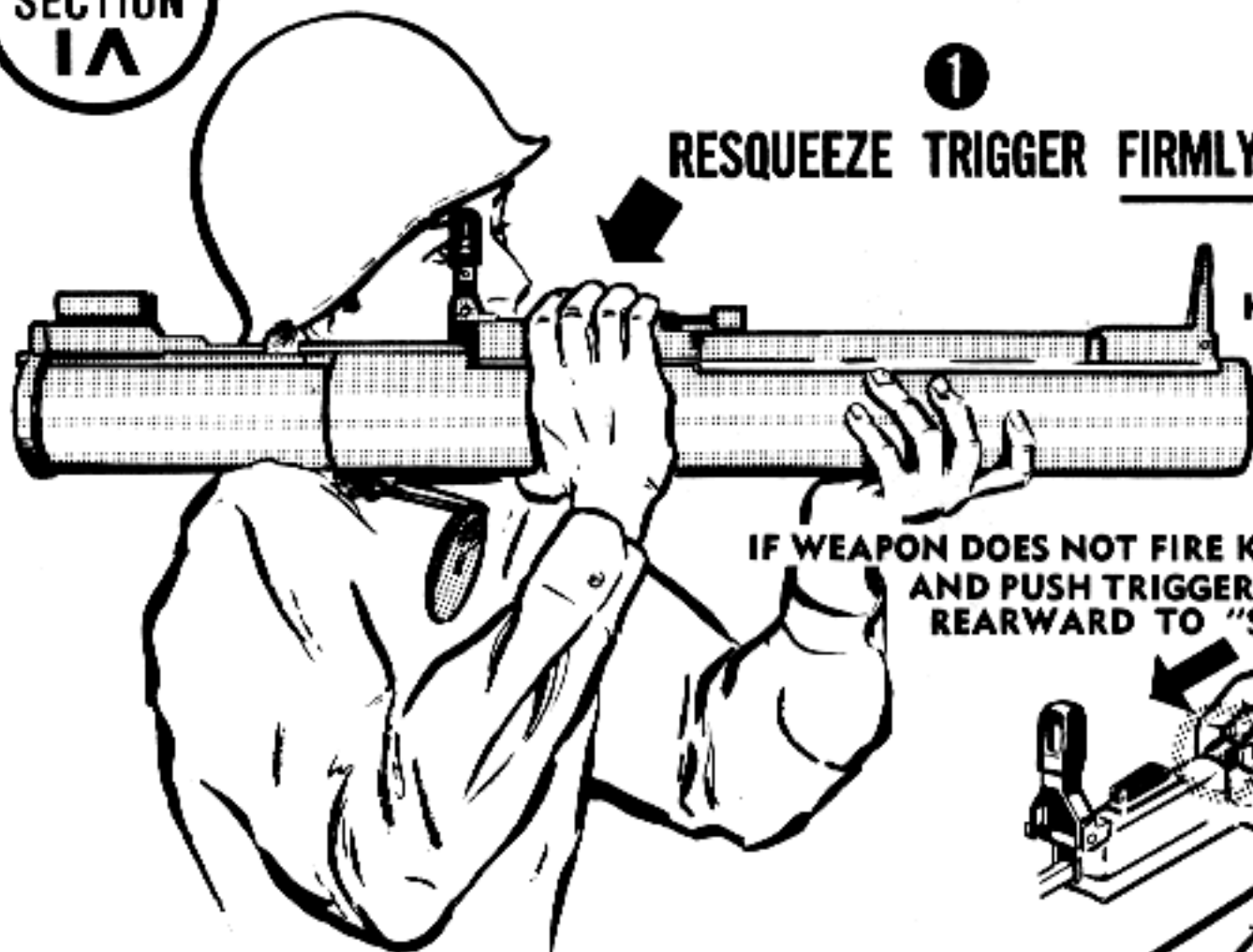
1

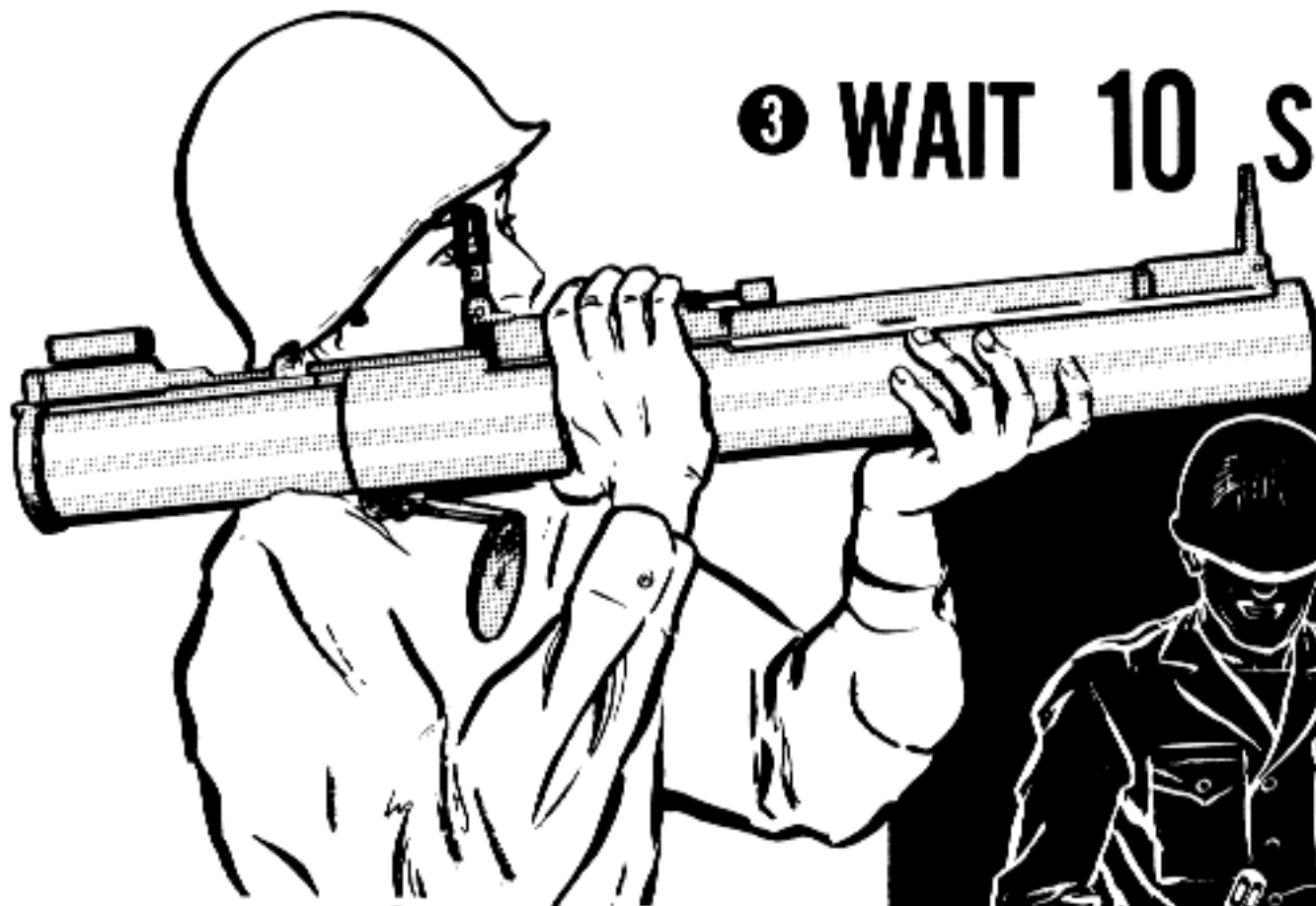
RESQUEEZE TRIGGER FIRMLY

KEEP ON TARGET

2

IF WEAPON DOES NOT FIRE KEEP ON SHOULDER
AND PUSH TRIGGER SAFETY HANDLE
REARWARD TO "SAFE" POSITION





3 WAIT 10 SECONDS

THEN

REMOVE LAUNCHER FROM SHOULDER

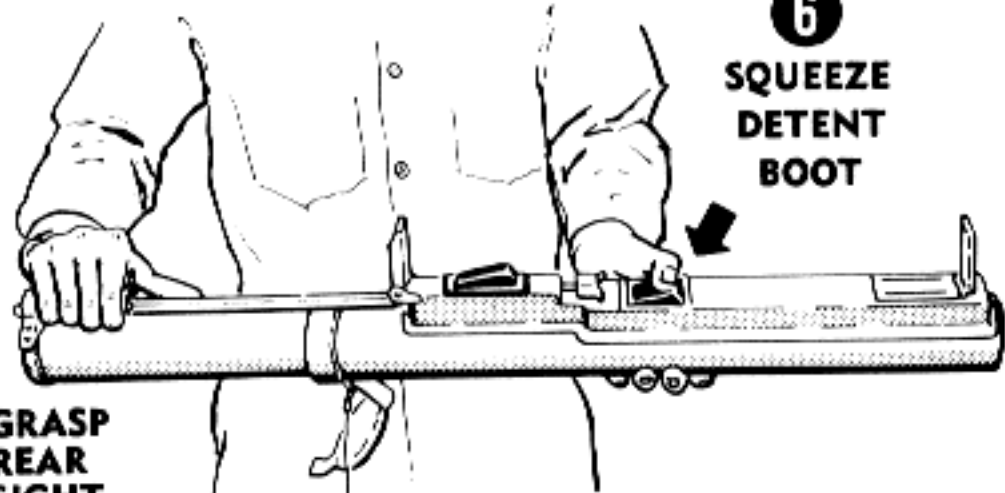
4 WAIT 1 MINUTE

BEFORE RECOCKING

If time is not available lay weapon down pointing at target - abandon.



KEEP LAUNCHER ON TARGET



6

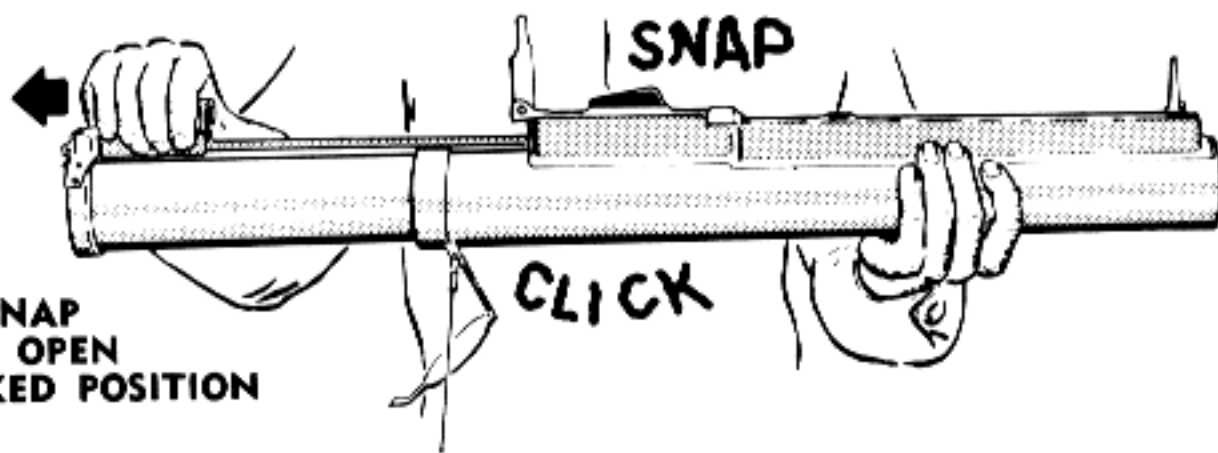
**SQUEEZE
DETENT
BOOT**

**KEEP ON
TARGET**

**5 GRASP
REAR
SIGHT
HOUSING**

**7 PARTIALLY CLOSE LAUNCHER
(APPROXIMATELY 4 INCHES)**

**8 SHARPLY SNAP
LAUNCHER OPEN
INTO LOCKED POSITION**



9 PLACE LAUNCHER BACK ON SHOULDER

KEEP
LAUNCHER
ON
TARGET

10 PULL SAFETY FORWARD TO "ARM"



11 AIM

12 DEPRESS TRIGGER BOOT FIRMLY TO FIRE

IF A RECOCKED WEAPON WHICH
HAS MISFIRED STILL DOES
NOT FIRE, PUSH TRIGGER
SAFETY HANDLE TO "SAFE"
POSITION AND WAIT

10 SECONDS

THEN

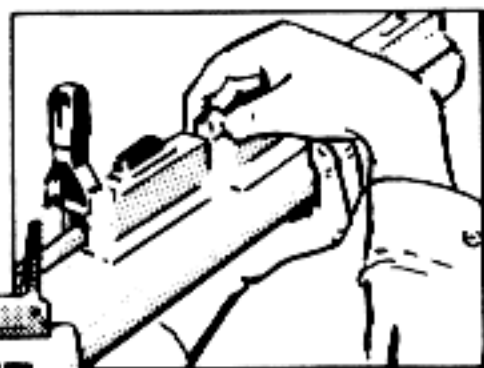
CAREFULLY LAY WEAPON ON GROUND FACING
TARGET AND EVACUATE AREA

NOTIFY AUTHORIZED DISPOSAL MUNITION
PERSONNEL FOR DISPOSAL OF WEAPON



PREPARED FOR – BUT NOT FIRED

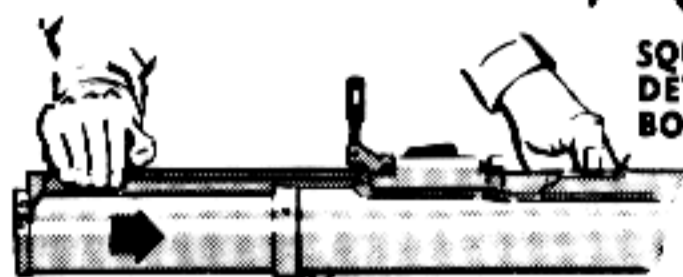
1 RETURN SAFETY TO SAFE



TARGET →

2 CAREFULLY REMOVE
WEAPON FROM SHOULDER

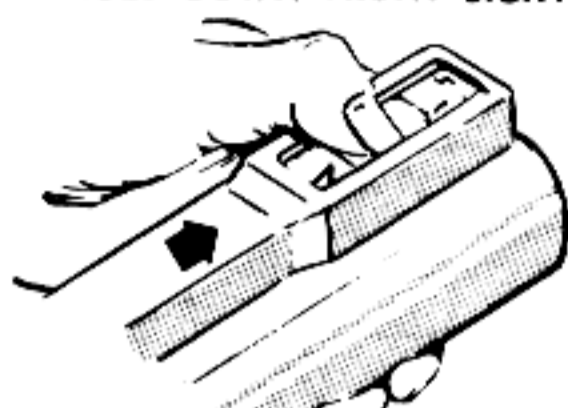
3
GRASP LAUNCHER
BY REAR SIGHT
HOUSING



KEEP
ON
TARGET

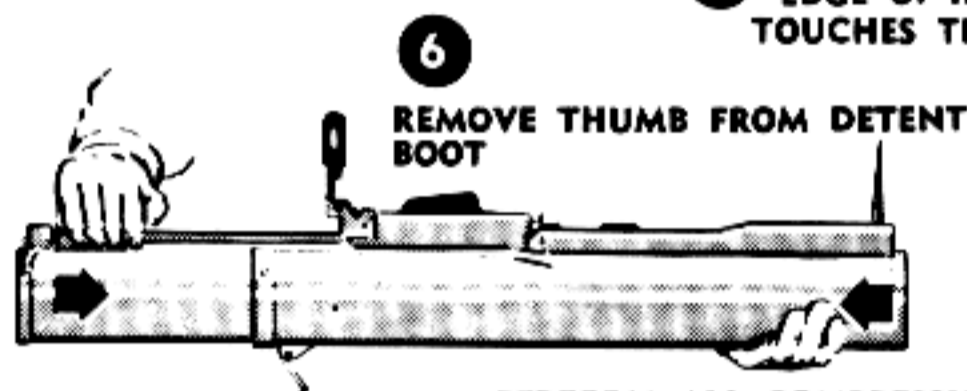
4
SQUEEZE
DETENT
BOOT

7
GRASP LAUNCHER
NEAR FRONT SIGHT
AND
HOLD DOWN FRONT SIGHT



5
SLIDE INNER TUBE INTO
OUTER TUBE APPROXIMATELY
TWO INCHES

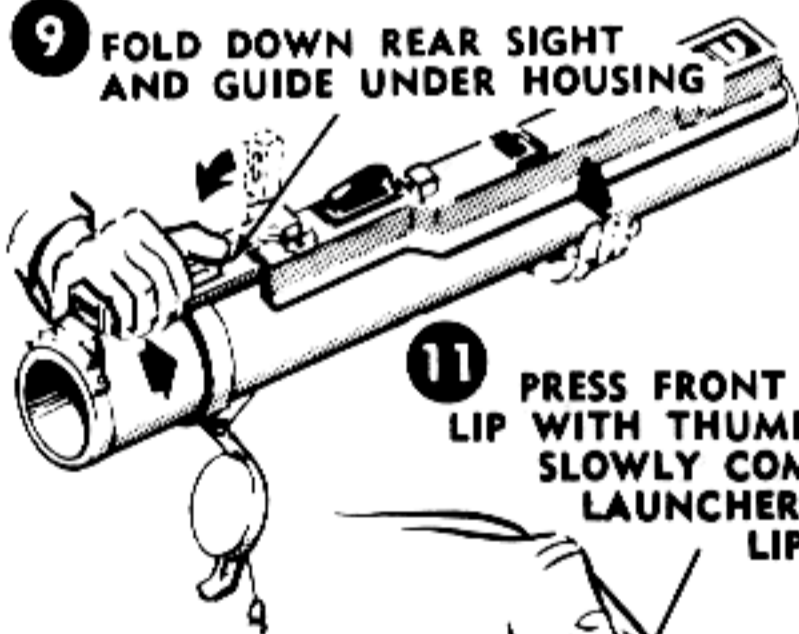
8
COMPRESS UNTIL
EDGE OF INNER TUBE
TOUCHES THUMB LIGHTLY



6
REMOVE THUMB FROM DETENT
BOOT

PERFORM ALL COMPRESSION ACTIONS
SLOWLY TO AVOID INJURY TO FINGERS

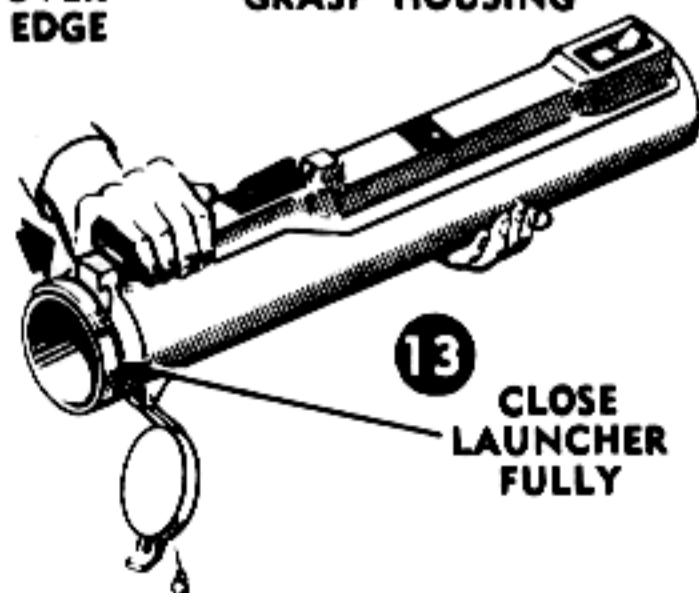
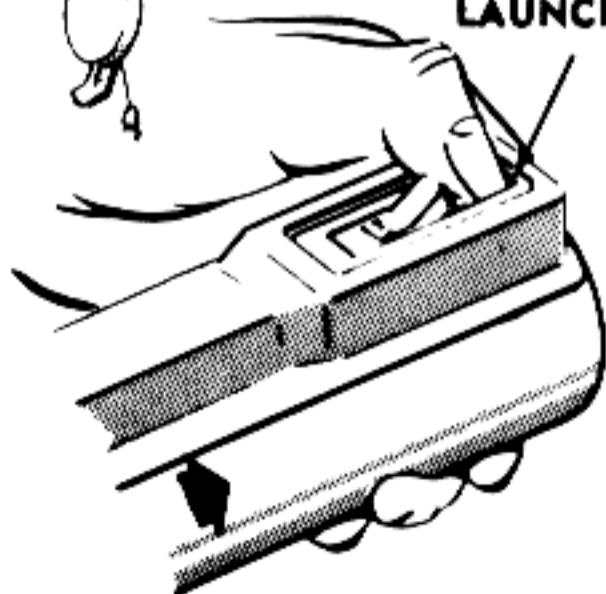
9
FOLD DOWN REAR SIGHT
AND GUIDE UNDER HOUSING



10
COMPRESS LAUNCHER
UNTIL TRAVEL IS
STOPPED BY LIP ON
FRONT SIGHT

11
PRESS FRONT SIGHT
LIP WITH THUMB AND
SLOWLY COMPRESS
LAUNCHER OVER
LIP EDGE

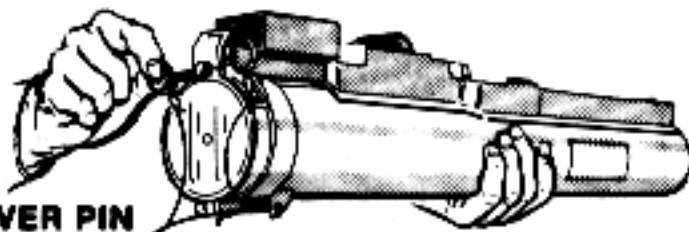
12
REMOVE THUMB FROM FRONT
SIGHT AND
GRASP HOUSING



13
CLOSE
LAUNCHER
FULLY

14

REPLACE COVER PIN

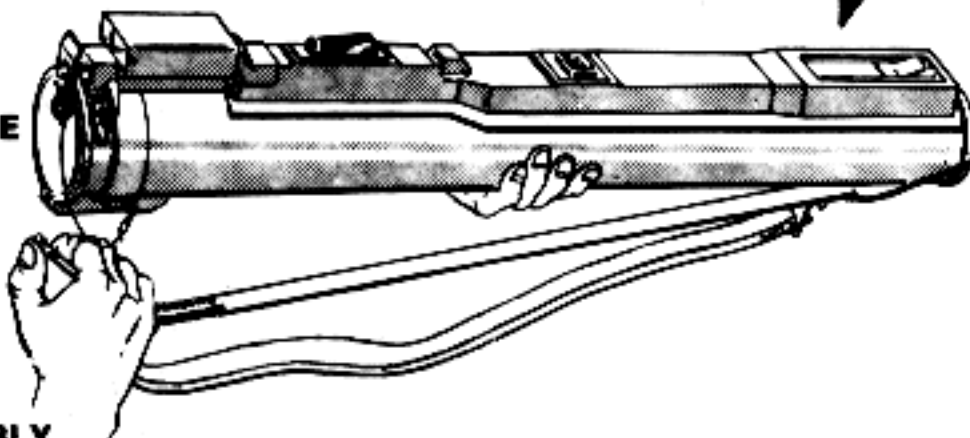


**KEEP LAUNCHER
POINTED DOWN RANGE**



15

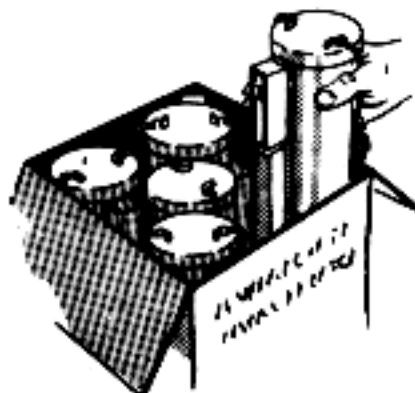
**REPLACE BUFFER PLATE
(M72A3 ONLY)**



16

REPLACE SLING ASSEMBLY

**LAUNCHER AND PACKING
SHOULD BE MARKED OR
TAGGED TO INDICATE
LAUNCHER HAS BEEN
EXTENDED**



**WHEN POSSIBLE
ONCE - EXTENDED
LAUNCHER SHOULD
BE RETURNED TO
ORIGINAL PACKING**

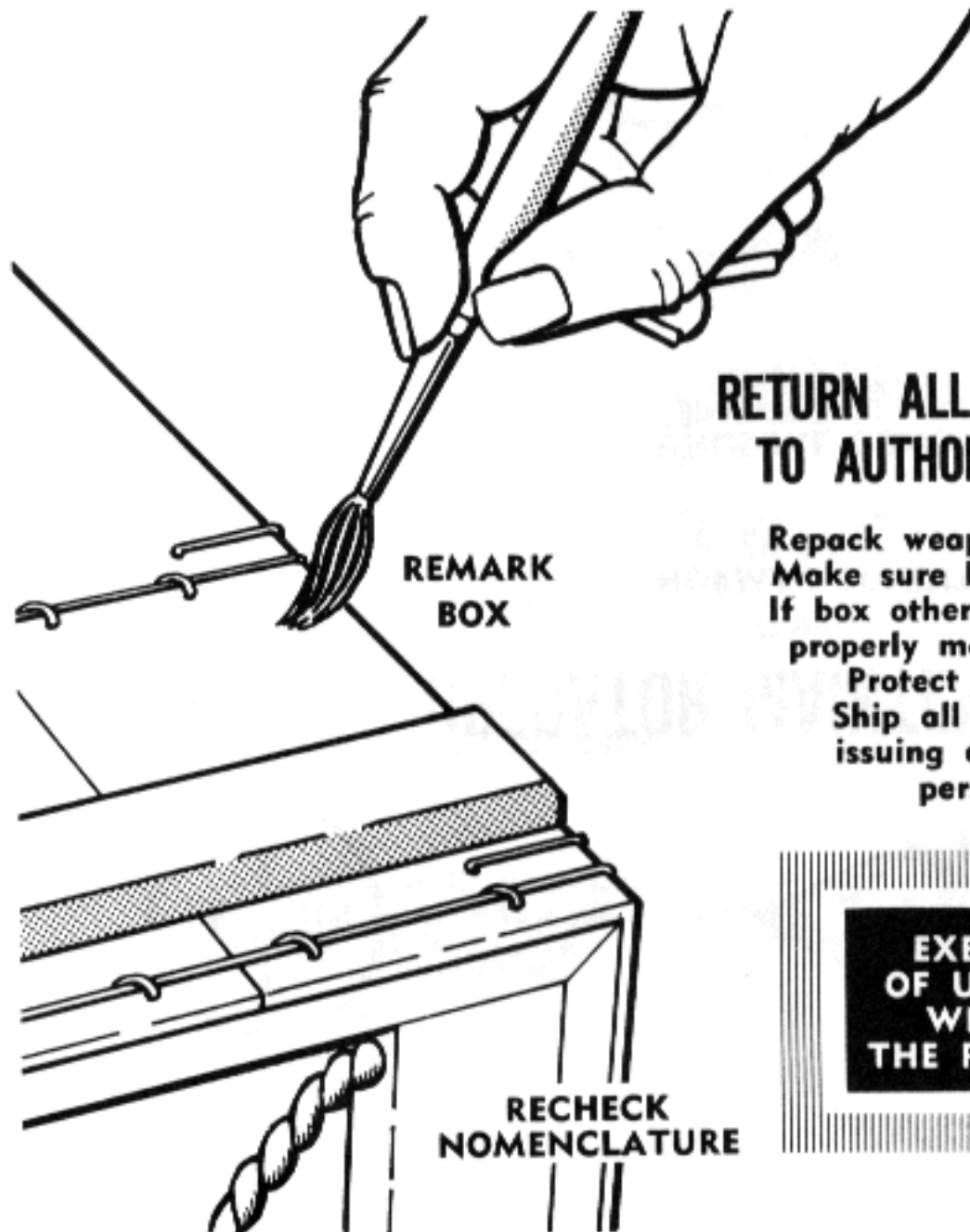
CHAPTER 3 MAINTENANCE



OPERATOR MAINTENANCE

NORMAL CONDITIONS
KEEP LAW CLEAN AND DRY

UNUSUAL CONDITIONS
PROTECT LAW FROM MOISTURE,
SNOW, SLEET. CLEAN AS REQUIRED



REPACK



RETURN ALL DEFECTIVE WEAPON SYSTEMS TO AUTHORIZED MUNITIONS PERSONNEL

Repack weapon system in original packing box. Make sure box is properly and clearly marked. If box other than original packing box is used, properly mark container to indicate contents.

Protect packed material until shipped. Ship all packed launchers or systems to issuing organization or other authorized personnel as soon as possible.

EXERCISE CARE IN RETURN OF USED LAUNCHERS AS THEY WILL BE REWORKED INTO THE PRACTICE WEAPON SYSTEM